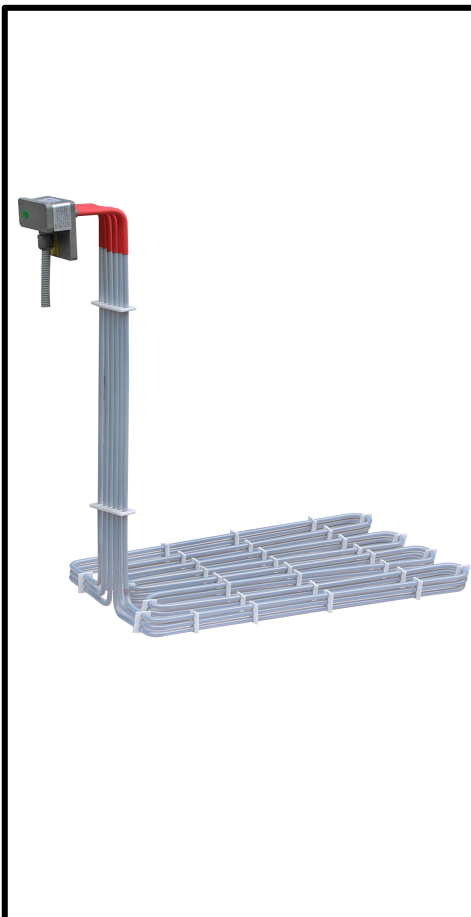


## Teflon heater

# EXCELLENT CHEMICAL RESISTANCE TO AGGRESSIVE ACIDS

Compatible with virtually any chemistry. Excellent chemical resistance to aggressive acids! Inert to most solutions with a corrosion-resistant head. Low watt density. Built-in thermal protector and grounded element. 3 element, bottom heater, fluoropolymer (PTFE) sleeved 304 stainless elements. 2000-15000 watts, 1200-480 volts.



### FEATURES

Inert to most aqueous acids, alkaline, anodizing, & picking solutions.

Rugged, heavy wall PTFE covered stainless steel element reduces permeation. Guaranteed 100% pinhole free.

Space saving & long service life with low Watt density design of 10 W/in<sup>2</sup> (1.5 W/cm<sup>2</sup>).

Vapor-resistant, flame retardant polypropylene terminal enclosure with 3 ft (.9m) flexible PVC liquid tight conduit.

Optional patented purge feature promotes a longer heater life by reducing chemical permeation.

Lower watt densities available for highly viscous solutions & technical acids.

3HXO SERIES, MULTI ELEMENT FLUOROPOLYMER (PTFE) HEATERS							
WATTS	VOLTS	WIDTH in/(mm)	HEATER PAD LENGTH in/(mm)	OVERALL LENGTH in/(mm)	MAX. COLD ZONE in/(mm)	MODEL NUMBER	SHIP WGT. lbs/(kg)
1500	120	10.5	6	11	36	3HXO1.5110.5-06-11-*	15
		(263)	(152)	(279)	(915)	3HXO1.5210.5-06-11-*	(6.8)
3000	240	10.5	6	11	36	3HXO3210.5-06-11-**	20
		(263)	(152)	(279)	(915)	3HXO3410.5-06-11-**	(9.1)
4500	240	10.5	9.5	17	35	3HXO4.5210.9-5-17-**	21
		(263)	(241)	(432)	(890)	3HXO4.5410.9-5-17-**	(9.5)
6000	240	13	10.5	17	35	3HXO6212-10.5-17-**	22
		(330)	(267)	(432)	(890)	3HXO6412-10.5-17-**	(10)
9000	240	13	16	23	35	3HXO9212-16-23-**	36
		(330)	(406)	(584)	(890)	3HXO9412-16-23-**	(16.3)
12000	240	13	20.5	29	35	3HXO12212-20.5-29-**	42
		(330)	(521)	(737)	(890)	3HXO12412-20.5-29-**	(19.1)
15000	240	13	25	35	31	3HXO15212-25-35-**	48
		(330)	(635)	(889)	(790)	3HXO15412-25-35-**	(21.8)
18000	240	13	29	40	25	3HXO18212-29-40-**	54
		(330)	(737)	(1016)	(635)	3HXO18412-29-40-**	(24.5)

Three-phase standard. Guards recommended.



Volts:  
120 to 480 Volts



Watts:  
2000 to  
15000  
watts



Certification:  
cULus CE (except  
600 volts)

# Teflon heater

## SPECIFICATIONS

Wattages	2000 Watts to 15000 Watts
Voltages	120 volts to 480 volts
Safety Features	Grounded internal metal element  Built-in thermal protector. Replaceable PI protector . Other options available.  Non-floating construction

## DETAILS

